

PATENT ABSTRACTS OF JAPAN

(11)Publication number : **03-059681**

(43)Date of publication of application : **14.03.1991**

(51)Int.Cl. **G03G 15/00**
G03G 15/08

(21)Application number : **01-195720**

(71)Applicant : **TOKYO ELECTRIC CO LTD**

(22)Date of filing : **28.07.1989**

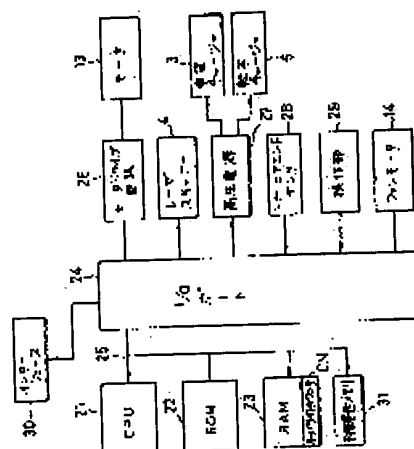
(72)Inventor : **WATANABE NORIYUKI**

(54) ELECTROPHOTOGRAPHIC DEVICE

(57)Abstract:

PURPOSE: To correspond the content of an overwrite counter to a toner residual all the time by storing the content of the overwrite counter in a nonvolatile memory and setting the reading to contents stored in the nonvolatile memory when a power source is again turned on.

CONSTITUTION: When toner in a developing unit becomes less, a toner end sensor 28 detects that, whereby the overwrite counter CN counts the number of subsequently printed sheets to store its reading in the nonolatile memory 31. When the power source is turned on, the contents stored in the nonvolatile memory 31 are set to the overwrite counter CN, which continuously counts the number of subsequently printed sheets from the set content. At this time, the counted content of the counter CN is also stored in the nonvolatile memory 31. Thus, the content of the overwrite counter CN can be corresponded to a toner residual regardless of whether the power source is turned on or off.



LEGAL STATUS

[Date of request for examination]

[Date of sending the examiner's decision of rejection]

[Kind of final disposal of application other than the examiner's decision of rejection or application converted registration]

[Date of final disposal for application]

[Patent number]

[Date of registration]

[Number of appeal against examiner's decision of rejection]

[Date of requesting appeal against examiner's decision of rejection]

Searching PAJ

[Date of extinction of right]